

基隆市東光國小 111 學年度第 2 學期
四年級英語領域第三次定期評量試題

班級: _____ 座號: _____

姓名: _____

得分:

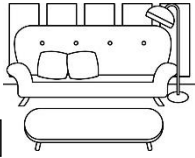
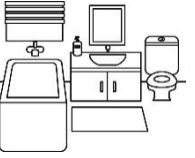
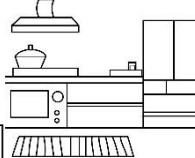

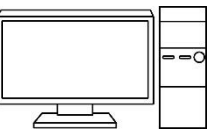
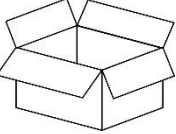


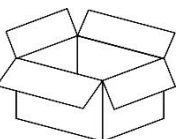

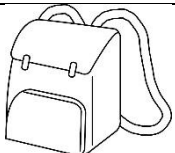

成績統計	
100分	人
99~90分	人
89~80分	人
79~70分	人
69~60分	人
60分以下	人
家長 簽章	

(圖片來源:google 圖片)

一、Listen and Check 仔細聽，勾選正確的發音例字 (每題 2 分，共 12 分)

1. <input type="checkbox"/> hope <input type="checkbox"/> hop	2. <input type="checkbox"/> home <input type="checkbox"/> hot	3. <input type="checkbox"/> cop <input type="checkbox"/> cope
4. <input type="checkbox"/> dose <input type="checkbox"/> dot	5. <input type="checkbox"/> cute <input type="checkbox"/> cut	6. <input type="checkbox"/> muse <input type="checkbox"/> must




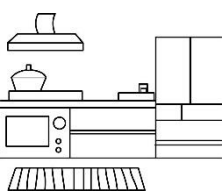
二、Listen and Check 仔細聽，勾選正確的單字圖片 (每題 3 分，共 18 分)

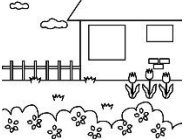


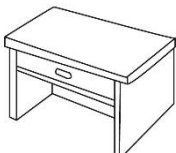
1. <input type="checkbox"/>  <input type="checkbox"/> 	2. <input type="checkbox"/>  <input type="checkbox"/> 
3. <input type="checkbox"/>  <input type="checkbox"/> 	4. <input type="checkbox"/>  <input type="checkbox"/> 
5. <input type="checkbox"/>  <input type="checkbox"/> 	6. <input type="checkbox"/>  <input type="checkbox"/> 

三、Listen and Choose 仔細聽，選出正確的句子 (每題 2 分，共 8 分)



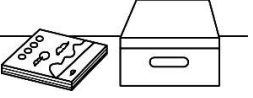

1. () ① They're in the living room. ② They're in the dining room. ③ He's in the living room. ④ Dad is in the yard.	2. () ① He's in the yard. ② She's in the kitchen. ③ I'm in the living room. ④ They're in the dining room.
3. () ① The pencil is in the bag. ② The pencil is by my bag. ③ The pencil is on the chair. ④ The pencil is under the desk.	4. () ① Wait a minute. ② Where's Mom? ③ May I go to the restroom? ④ What happened?

四、Look and Copy 看圖抄寫正確的單字 (每題 3 分，共 24 分)

1.  living room yard kitchen	2.  bedroom yard dining room
3.  bedroom bathroom kitchen	4.  living room kitchen bedroom

<p>5. </p> <p>bedroom dining room yard</p> <p>_____</p> <p>_____</p> <p>_____</p>	<p>6. </p> <p>computer chair table</p> <p>_____</p> <p>_____</p> <p>_____</p>
<p>7. </p> <p>bag computer table</p> <p>_____</p> <p>_____</p> <p>_____</p>	<p>8. </p> <p>desk chair box</p> <p>_____</p> <p>_____</p> <p>_____</p>

五、Look and Mark 圖文相符畫○，不符畫×（每題2分，共8分）

<p>1. () Leo's in the living room. </p>	<p>2. () Don't worry. </p>
<p>3. () The book is in the box. </p>	<p>4. () Abu is under the table. </p>

六、Read and Choose 文法選擇（每題2分，共8分）

<p>1. () He's _____.</p> <p>Ⓐ reading Ⓑ reads</p> <p>Ⓒ x Ⓓ read</p>	<p>2. () Mom is in _____.</p> <p>Ⓐ yards Ⓑ yard</p> <p>Ⓒ the living room Ⓓ x</p>
<p>3. () _____ right.</p> <p>Ⓐ Turn to Ⓑ Turn</p> <p>Ⓒ Turning Ⓓ x</p>	<p>4. () _____ are you?</p> <p>Ⓐ Where Ⓑ Why</p> <p>Ⓒ x Ⓓ When</p>

七、Unscramble 句子重組（每題4分，共16分）

<p>1. Kate / ? / Where / is</p> <p>_____</p> <p>_____</p> <p>_____</p>	<p>2. the / ? / table / Where's</p> <p>_____</p> <p>_____</p> <p>_____</p>
<p>3. in / Grandpa / dining room / . / is / the</p> <p>_____</p> <p>_____</p> <p>_____</p>	
<p>4. is / desk / . / on / the / The computer</p> <p>_____</p> <p>_____</p> <p>_____</p>	

八、Reading Comprehension 閱讀測驗（每格2分，共6分）

<p>Max: Good afternoon, James. I need my bag. Where is it?</p> <p>James: You're late. It's already two o'clock.</p> <p>Max: I'm sorry.</p> <p>James: Go to the kitchen. It's on the table. Check it before you go.</p> <p>Max: Sure.</p> <p>James: Don't worry. It's an easy job. Let's have dinner together this evening.</p> <p>Max: See you later.</p> <p>*need 需要 late 遲到 already 已經 *check 檢查 before 之前</p> <p>*easy 簡單 job 工作</p> <p>*together 一起 dinner 晚餐</p> <p>*evening 傍晚</p>	<p>() (1)</p> <p>What time is it now?</p> <p>Ⓐ It's eight o'clock.</p> <p>Ⓑ It's two o'clock.</p> <p>Ⓒ It's nine twenty.</p> <p>() (2)</p> <p>Where's the bag?</p> <p>Ⓐ It's in the bedroom.</p> <p>Ⓑ It's on the chair.</p> <p>Ⓒ It's on the table</p> <p>() (3)</p> <p>Where's the table?</p> <p>Ⓐ It's in the bathroom.</p> <p>Ⓑ It's in the dining room.</p> <p>Ⓒ It's in the kitchen.</p>
--	---

